

WORKSTRINGS INTERNATIONAL®

"YOUR FIRST CHOICE IN DOWNHOLE TUBULAR RENTAL"

A SUPERIOR ENERGY SERVICES COMPANY

VAM® Express™ Drill Pipe

Three New Strings:

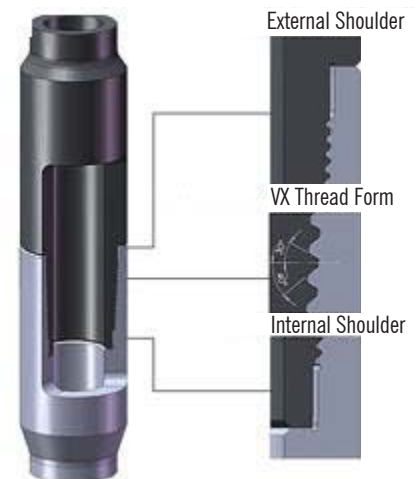
- 6 5/8" VX69 VM-165, IEU .330" (25.20#) - Range 2
- 5 7/8" VX57 VM-165, IEU .320" - Range 2
- 4" VX40 VM-150, IU .330" (14.00#) - Range 2
- To accessorize as necessary
- Performance sheets available upon request

Design:

- Initially designed for drilling a 40,000' extended reach well
- Thin and light, high strength, high torque
- Large ID's for improved hydraulics
- High make up torque values

Application:

- Ideal for extended reach work
- Challenging deepwater environments where string weight and/or hydraulics is an issue





WORKSTRINGS INTERNATIONAL®

"YOUR FIRST CHOICE IN DOWNHOLE TUBULAR RENTALS"

A SUPERIOR ENERGY SERVICES COMPANY

North America

United States

Broussard, LA marketing@workstrings.com
Houston, TX marketing@workstrings.com

Canada

Newfoundland sales.canada@workstrings.com

EMEA

Europe

Aberdeen, UK sales.uk@workstrings.com
Norway sales.norway@workstrings.com
The Netherlands sales.netherlands@workstrings.com

Middle East

Abu Dhabi sales.middleeast@workstrings.com
Dubai sales.middleeast@workstrings.com

Africa

North Africa sales.northafrica@workstrings.com
West Africa sales.westafrica@workstrings.com

South America

Argentina

sales.brazil@workstrings.com

Brazil

sales.brazil@workstrings.com

Colombia

sales.colombia@workstrings.com

Ecuador

sales.colombia@workstrings.com

Peru

sales.colombia@workstrings.com

Trinidad

sales.colombia@workstrings.com

APAC

Asia

Singapore sales.asiapacific@workstrings.com
Malaysia sales.asiapacific@workstrings.com
Thailand sales.asiapacific@workstrings.com
Indonesia sales.asiapacific@workstrings.com

Australia

sales.australasia@workstrings.com

Download the Workstrings International Pipe Specification App on the App StoreSM or Google PlayTM



Workstrings International, the global leading oilfield equipment rental company providing quality drill strings, tubing, landing strings, completion tubulars and handling accessories with in-house "value-added" engineering, continues to demonstrate commitment to its customer support and investment in latest technologies with the launch of the Workstrings International Pipe Specification App.

The App allows users to access specifications for the most commonly used sizes and connections of drill pipe, landing string, HWDP, drill collars and tubing providing the option to view and email specification sheets conveniently using your mobile device.

Apple and the Apple logo are trademarks of Apple Inc., registered in the U.S. and other countries. App Store is a service mark of Apple Inc. Google Play is a trademark of Google Inc.

Global Headquarters

1150 Smede Hwy
Broussard, LA 70518 - USA
Phone: +1 337-989-9675
Email: info@workstrings.com

EMEA Corporate

Kirkton Avenue, Dyce
Aberdeen, AB21 0BF - UK
Phone: +44 1224-724900
Email: sales.uk@workstrings.com

Engineering & Marketing

11000 Equity Drive #150
Houston, TX 77041 - USA
Phone: +1 281-999-0047
Email: marketing@workstrings.com

www.workstringsinternational.com